

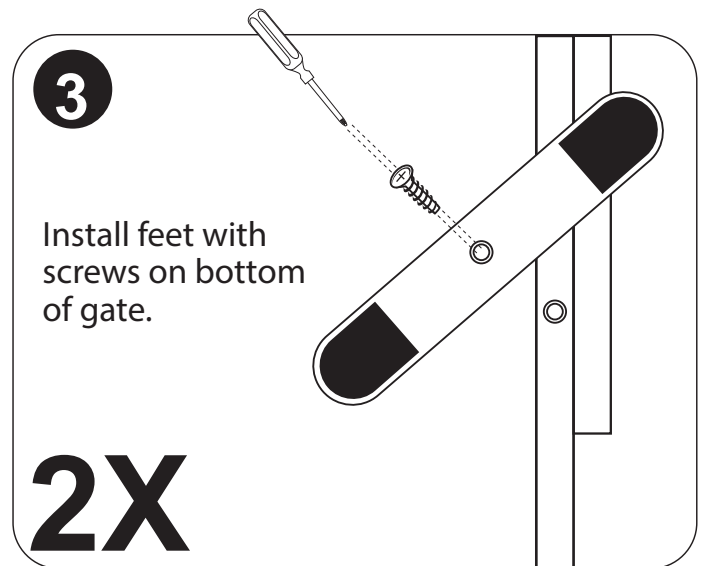
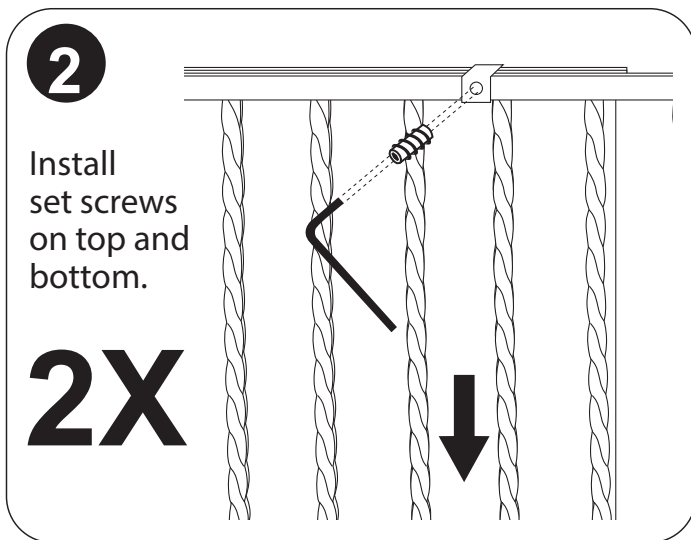
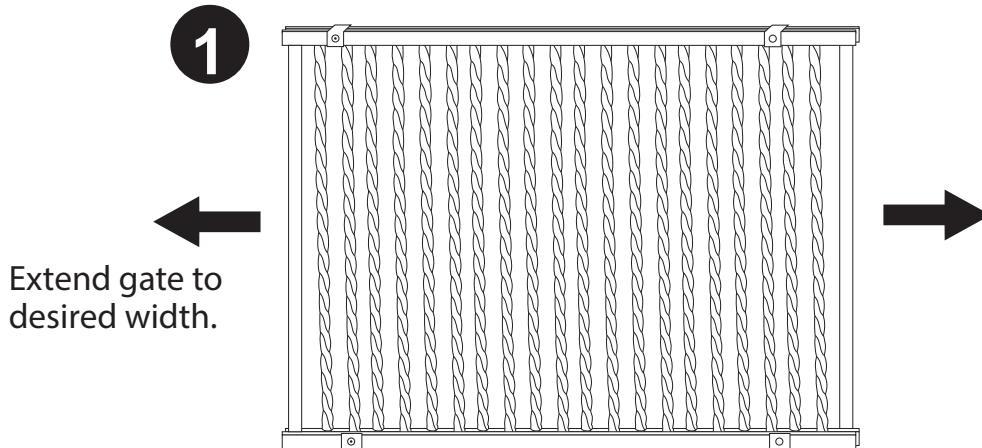
# CARDINAL GATES

SAFETY PRODUCTS FOR CHILDREN, PETS & HOMES

## WROUGHT IRON STEP OVER PET GATE - MODEL WISG

FOR OPENINGS 24.5" (62.5cm) - 41.25" (104.75cm)

### ASSEMBLY INSTRUCTIONS



WARNING: NOT FOR USE WITH CHILDREN



# CARDINAL GATES

SAFETY PRODUCTS FOR CHILDREN, PETS & HOMES

(770) 252-4200

Toll Free (800) 318-3380

[www.cardinalgates.com](http://www.cardinalgates.com)

## GATE MAINTENANCE

To clean, rinse with lukewarm water, wash gently with mild soap or detergent and lukewarm water, using a soft cloth or sponge. Rinse again. Dry with a soft cloth or sponge to prevent water spotting. DO NOT SCRUB or use brushes or squeegees.

## GATE CARE & REMINDERS

At CARDINAL GATES, INC., we design what we believe to be the very best, and most user friendly gates available. Our gates are built to last many years with proper use and care. Here are a few suggestions...

- Close gates gently - do not slam - to prevent damage to latch mechanism.
- When closing, be sure safety bracket on gate frame engages as depicted in instructions.
- Periodically check all screws, bolts, etc. for security and proper adjustment.

CARDINAL GATES, INC., offers many accessories such as extensions, stair kits, and other safety products. Check with your dealer, call CARDINAL GATES, INC. at 1-800-318-3380 or visit [cardinalgates.com](http://cardinalgates.com).

We sincerely hope that you thoroughly enjoy many years of service from your CARDINAL GATE.

## GATE WARRANTY

Your Cardinal Gate is warranted to be free of manufacturing defects for a period of one year from the date of purchase when used in homes, and according to manufacturers instructions. When used commercially, such as day care centers, the warranty is 90 days.

Cardinal Gates, Inc. will either repair or replace, at our option, any parts necessary to correct defects in material or workmanship during the warranty period. The warranty disclaims liability for incidental, special and consequential damages of any nature.

### TO EXERCISE WARRANTY:

Ship your gate in a protective carton, freight prepaid to:  
CARDINAL GATES, INC.  
79 Amlajack Way  
Newnan, GA 30265

You must include the following:

1. Proof of purchase (store receipt, etc.).
2. Brief note describing problem with gate.
3. Full return address along with phone number.



**CARDINAL GATES**  
SAFETY PRODUCTS FOR CHILDREN, PETS & HOMES

(770) 252-4200

Toll Free (800) 318-3380

[www.cardinalgates.com](http://www.cardinalgates.com)