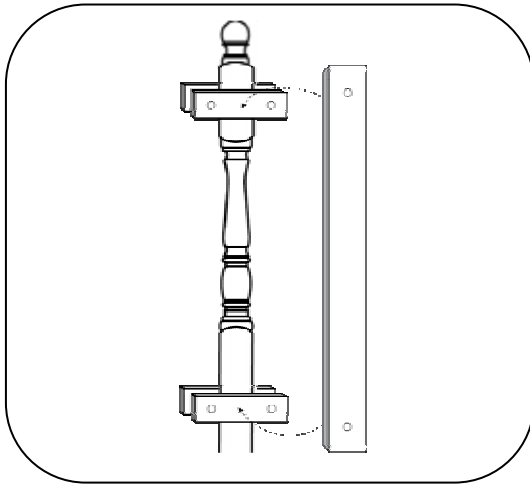


UNIVERSAL GATE ADAPTER (UGA)

INSTALLATION GUIDE

1. Attach clamps to post.
2. Position the UGA to clamps so that you can mark the holes with a pencil with the UGA centered on clamps.
3. Drill pilot holes in the UGA where marked.
4. Attach UGA to clamps with provided wood screws (2).



CARDINAL GATES

www.cardinalgates.com