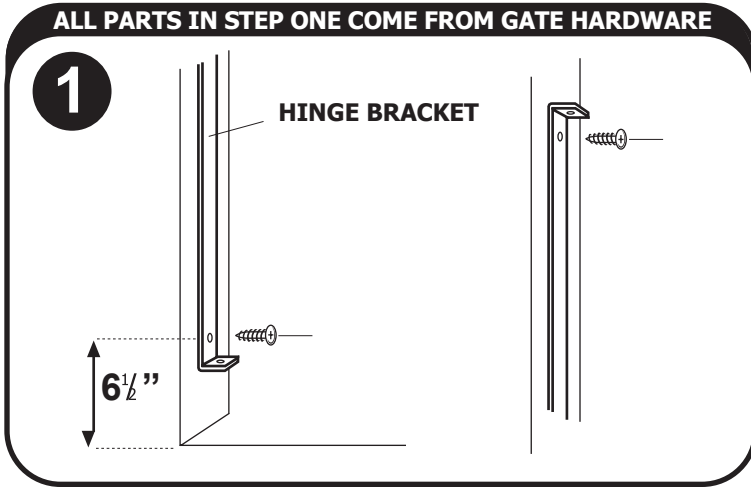


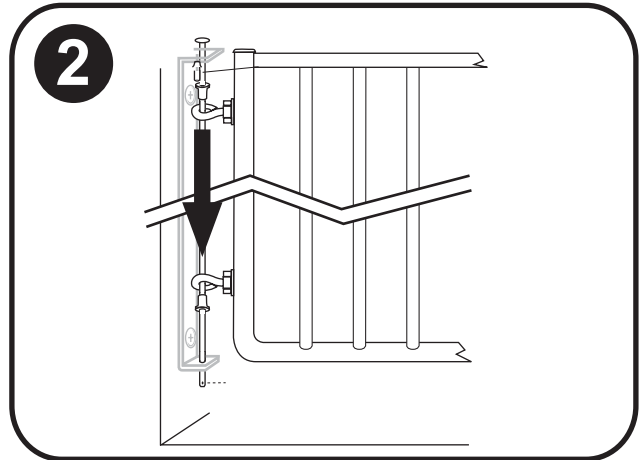
T-BAR / T-BAR WITH HINGE ASSEMBLY INSTRUCTIONS

T-Bars provide needed support and stability when more than one extension is added to a SS30, SS300D or MG15 gate.

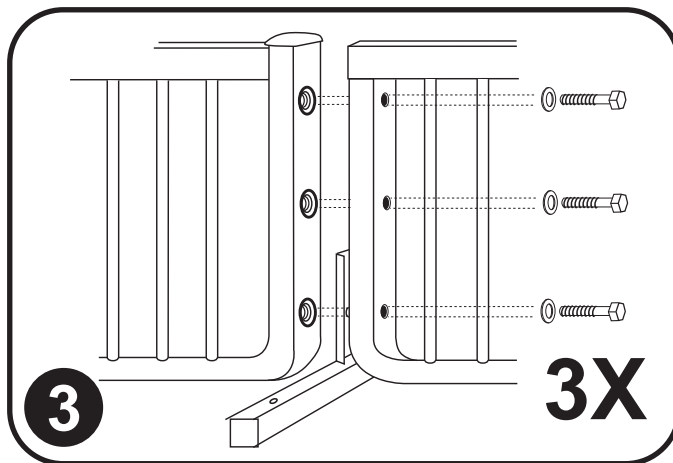
ALL PARTS IN STEP ONE COME FROM GATE HARDWARE



1. Using hardware from the GATE, install the hinge bracket to the wall according to gate instructions.

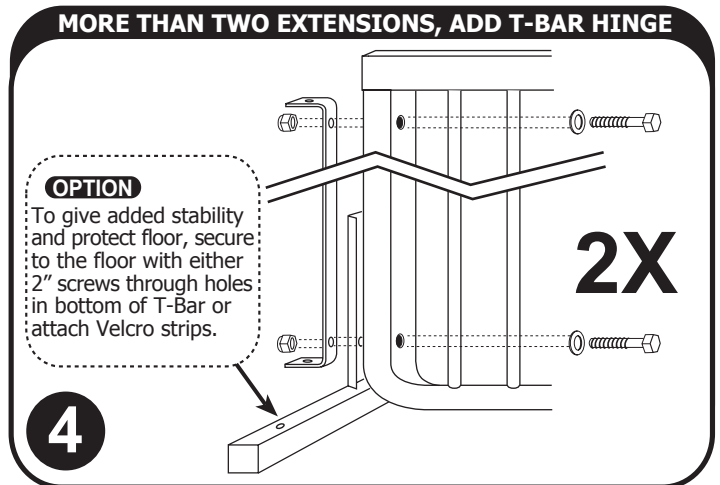


2. Hang the first extension on the hinge rod that came with the gate.



3. With the T-Bar in place, attach the gate extensions together using the three (3) 1 1/2-inch hex head bolts and washers. The lower bolt connects the T-Bar between the extensions.

MORE THAN TWO EXTENSIONS, ADD T-BAR HINGE



4. If more than two (2) extensions are used, the special T-Bar Hinge and Bracket will be needed. The T-Bar Hinge will be between the last extension and the gate.

IMPORTANT: CARDINAL GATES RECOMMENDS USING ONE (1) T-BAR SUPPORT BRACKET FOR EVERY (2) TWO EXTENSIONS.

5 Install Gate Install the gate following the gate instruction but with the gate attached and singing on the T-Bar Hinge.

CARDINAL GATES

If it's a Cardinal, It's the Best!

79 Amlajack Way
Newnan, GA 30265
770-252-4200
www.cardinalgates.com