


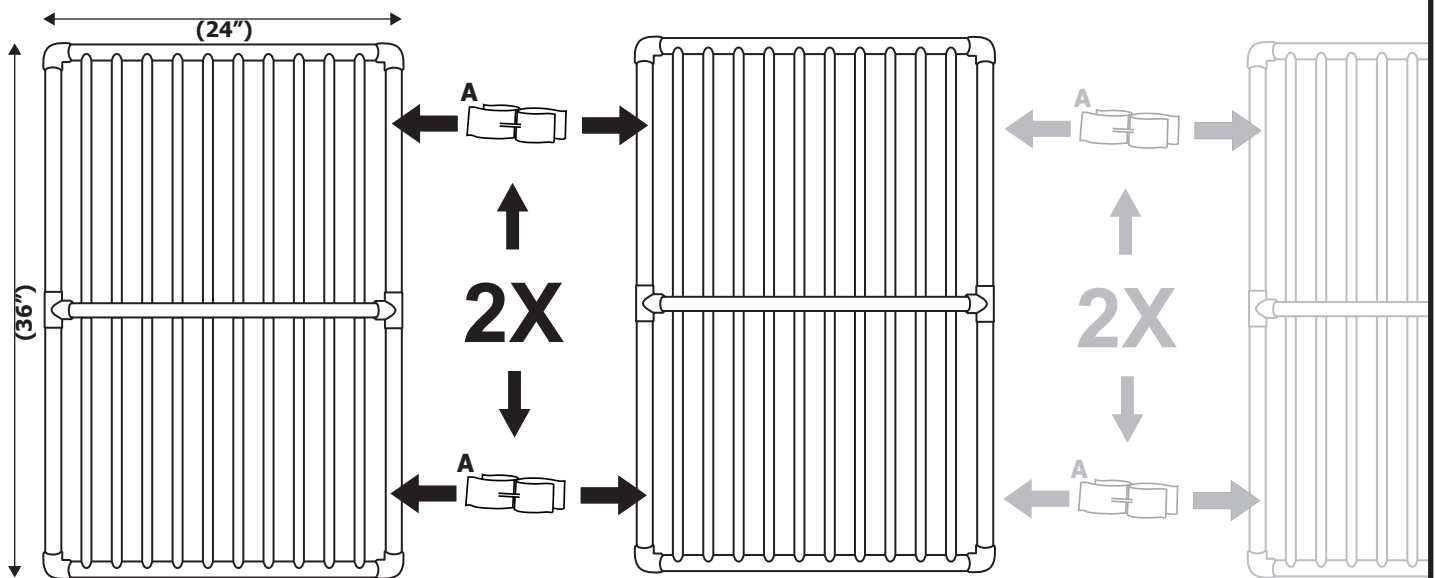
PORTABLE PET PEN - MODEL PPP

ASSEMBLY INSTRUCTIONS

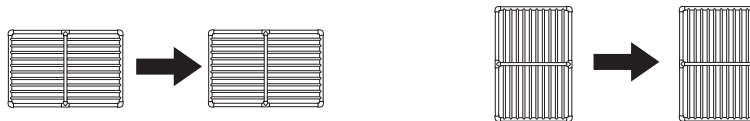
THIS GATE IS NOT MADE FOR USE WITH CHILDREN.
FOR INDOOR OR OUTDOOR USE.
Gate not intended for large or aggressive animals.

ASSEMBLY PART: A. (12) 

Simply attach gate panels together with plastic clips **(A)**. Clips will snap easily over gate poles.
TO OPEN AND CLOSE: Unsnap a section of gate.

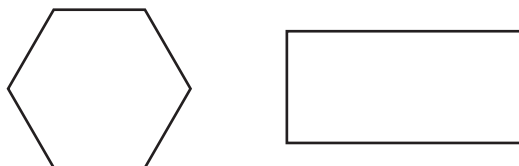


ASSEMBLY NOTE: Panels can be assembled on either 24" side or 36" side.



GATE FORMATIONS

For best results, alternate angles or connect all gate panels together to make a full enclosure:



 **WARNING: THIS GATE IS TO BE USED ONLY WITH PETS. NOT FOR USE WITH CHILDREN.**
Made in China.

GATE MAINTENANCE

To clean, rinse with lukewarm water, wash gently with mild soap or detergent and lukewarm water, using a soft cloth or sponge. Rinse again. Dry with a soft cloth or sponge to prevent water spotting. DO NOT SCRUB or use stiff brushes.

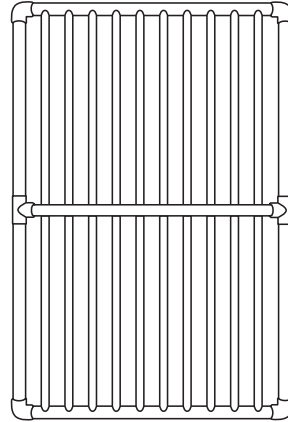
GATE EXTENSIONS AND OTHER SAFETY PRODUCTS

CARDINAL GATES, INC., offers many accessories such as extensions, stair kits, and other safety products. Check with your dealer, call CARDINAL GATES, INC. at 1-800-318-3380 or visit our website.

PPPX EXTENSION KIT

Each extension kit includes:

- One (1) gate panel (24" x 36") and
- Two (2) attachment clips.



GATE WARRANTY

Your Cardinal Gate is warranted to be free of manufacturing defects for a period of one year from the date of purchase when used in homes, and according to manufacturers instructions. When used commercially, such as doggie day care centers, the warranty is 90 days.

CARDINAL GATES, INC. will either repair or replace, at our option, any parts necessary to correct defects in material or workmanship during the warranty period. The warranty disclaims liability for incidental, special and consequential damages of any nature.

TO EXERCISE WARRANTY:

Ship your gate in a protective carton, freight prepaid to:
CARDINAL GATES, INC.
79 Amlajack Way
Newnan, GA 30265

YOU MUST INCLUDE THE FOLLOWING:

1. Proof of purchase (store receipt, etc.).
2. Brief note describing problem with gate.
3. Full return address along with phone number.



CARDINAL GATES
SAFETY PRODUCTS FOR CHILDREN, PETS & HOMES

(770) 252-4200

Toll Free (800) 318-3380

www.cardinalgates.com