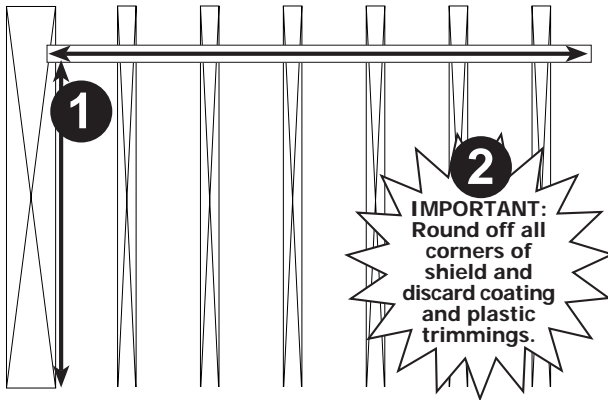
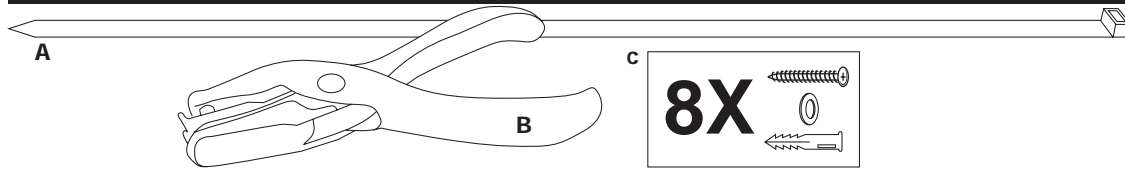
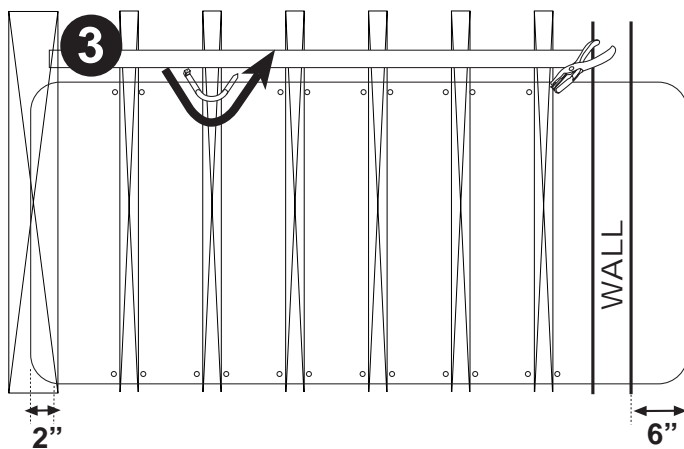


OUTDOOR CLEAR DECK SHIELD

ASSEMBLY INSTRUCTIONS

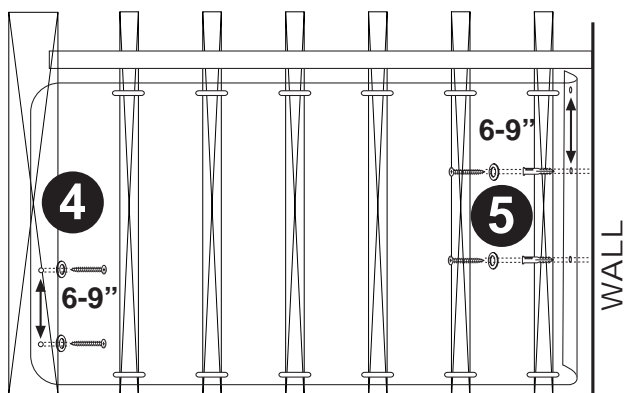


1. Measure the length and the height of the section of the banister to be covered. Make sure the plastic reaches all the way to the floor and the top of the railing. Add at least 2 inches for overlapping at both ends for newels and add 6 inches if one side is a wall (Refer to diagram on **STEP 5**).
2. Remove the protective coating and unroll plastic on the floor. Using measurements in **STEP 1**, draw a line, then cut plastic to length using scissors. (If height/vertical measurement is less than 33 inches, make several marks along the plastic and draw a line using a straight edge and marker.) Cut plastic along line.



3. Hold plastic in place with ends overlapping endposts (2 inches) and/or wall (6 inches). Make marks on the plastic on either side of one of the baluster posts no less than 1/2 inch from the top edge. Use hole punch (**B**) to punch holes at your marks. Press hard, you may need to use both hands. Use cable ties (**A**) and insert through the holes from the backside of the plastic. Tighten the tie, and cut off the excess cable tie. Repeat this process on top and bottom of each baluster.

If you need to punch holes more than one inch from the edge of the plastic, you may use a sharp object such as an ice pick, sharp pencil or pen. Be careful and always punch holes from the side of the plastic that will be exposed to the child. For best results, you can use a drill with a 1/8 inch bit.



4. Deck Shield™ may be fastened to the endpost with cable ties. For a more secure attachment to the end post, drill a 1/16 inch hole through the plastic and into the endpost, then secure the plastic with the screws and washers provided (**C**). Space screws or ties no more than 6 to 9 inches apart.
5. If end of railing does not have a post, curl the plastic against the wall and drill 1/16 holes through the plastic and into the wall at 6 to 9 inch intervals. Curl back plastic slightly and tap anchors into each hole in the wall. Put shield back over anchors and secure plastic with a screw and washer (**C**).

CARDINAL GATES

If it's a Cardinal, It's the Best!

79 Amlajack Way
Newnan, GA 30265
770-252-4200
www.cardinalgates.com